



ROUND VALVE BOXES "EZOPEN"^{PAT}

DESCRIPTION

The new round valve box is opened by simply lifting and pulling a discreet handle embedded in the lid. Each valve box has an anti vandal bolt for additional security. A specially designed model bracket inside the box allows easy and tidy wire installation to fit Rain's battery controller to PZCM 25. This is a unique, patented product in the irrigation market.

TECHNICAL INFORMATION

- Material: 100% polypropylene
- UNI EN 124 A class A 15 (Peak load > 15 Kn)

AVAILABLE VERSIONS

- PZCM RN15 D. 152/243 x H 229 mm
- PZCM RN25 D. 253/336 x H 261 mm
- Black body - Green lid
- Green body - Green lid

1. TWIST - LOCK LID



2. EZOPEN HANDLE & ANTIVANDALISM SCREW



3. BRACKET FOR RAIN EVO (PZCM 25)

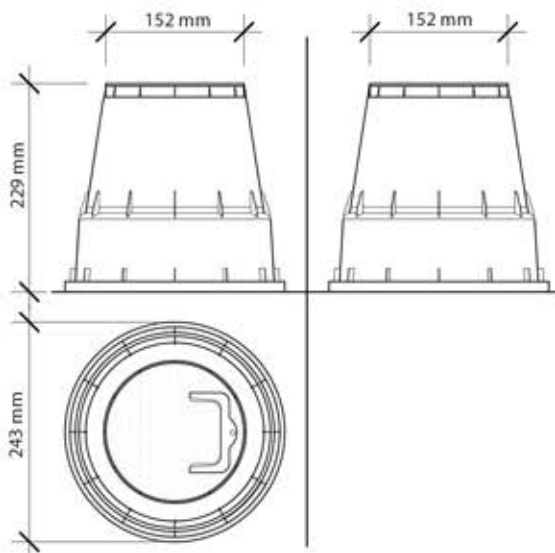


4. RACK FOR WIRES CONNECTORS (PZCM 25)



Code	Models	Pallet Q.ty
210.3001150	PZCM "EzOPEN" RN 15 BLACK BODY	792
210.3001250	PZCM "EzOPEN" RN 25 BLACK BODY	396
210.3002150	PZCM "EzOPEN" RN 15 GREEN BODY	792
210.3002250	PZCM "EzOPEN" RN 25 GREEN BODY	396
125.0115010	GREEN LID 15	
125.0125010	GREEN LID 25	

PZCM 15



PZCM 25

