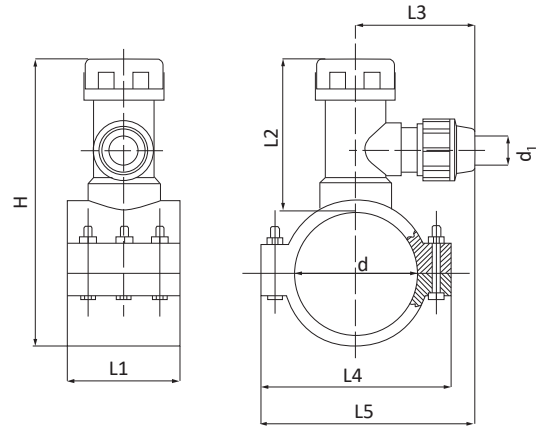


## CODE 1025



Underclamp tapping saddle - Abzweigschelle zum Anbohren unter Druck - Хомутовый отвод на напорные трубы



CODE	DIM dx <sub>d1</sub> [mm]	NF	NF1	H [mm]	L1 [mm]	L2 [mm]	L3 [mm]	L4 [mm]	L5 [mm]	PN [bar]
1025063025001	63x25	6	M8x40	200	80	130	115	106	175	16
1025063032001	63x32	6	M8x40	200	80	130	125	106	180	16
1025075025001	75x25	6	M8x50	210	90	130	115	120	175	16
1025075032001	75x32	6	M8x50	210	90	130	125	120	180	16
1025090025001	90x25	6	M8x50	230	90	130	115	138	175	16
1025090032001	90x32	6	M8x50	230	90	130	125	138	180	16
1025110020001	110x20	6	M8x60	250	100	130	110	168	187	16
1025110025001	110x25	6	M8x60	250	100	130	115	168	192	16
1025110032001	110x32	6	M8x60	250	100	130	125	168	197	16
1025160020001	160x20	6	M8x100	300	174	130	110	215	220	16
1025160025001	160x25	6	M8x100	300	174	130	115	215	225	16
1025160032001	160x32	6	M8x100	300	174	130	125	215	230	16